

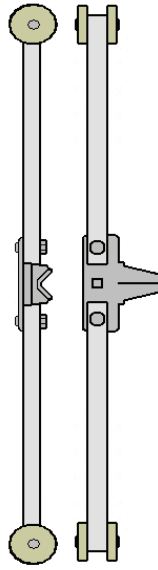
ACCESSORIES

SERIES - NLK

Pad Lock Type



1-point type



3-point type

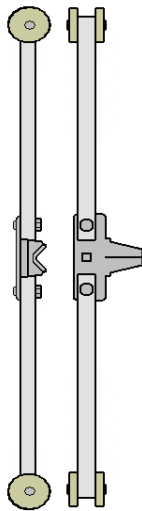
- NEMA Type 12 one-point type. Heavy duty with provision for pad lock.
- NEMA Type 4 & 4X three-point type with rods. Heavy duty with provision for pad lock.
- Handles are drop forged 3-point latch.
- Finish is zinc plated or stainless steel.
- For enclosures over 24" roller topped rods and guides should be ordered.
- Mounting hardware supplied.

SERIES - NLK

Series 1000 Type



1-point type



3-point type

- Furnished for one, two or three point locking, right or left hand doors, with 90 or 180 degree rotation. (90 degree RH regularly furnished).
- 90 degree RH handles rotate counter clockwise from 12 to 9 o'clock.
- 90 degree LH handles rotate clockwise from 12 to 3 o'clock.
- 180 degree handles are reversible RH or LH doors.
- Key is removable in locked or unlocked position for either 90 or 180 degree handles.

www.newcommetal.com

**NEW
COM METAL PRODUCTS CORP.**

ACCESSORIES

SERIES - NEMA Type 1

Door Holder Kits

SERIES - THS



SERIES - DLK



SERIES - FDK

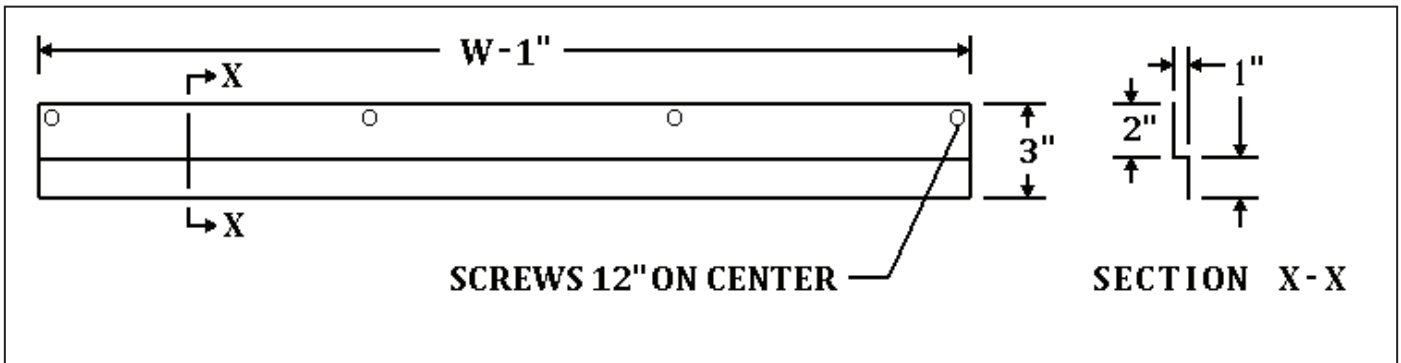


- These handles & lock are used on series NEMA TYPE 1 enclosures & are not oil, water or dust impervious.
- Series THS, DLK & FDK are one-point & lock handle kits

Catalogue #	Description
Series THS	One-Point Tee-Handle
Series DLK	One Point-D lock with 2 keys
Series FDK	One-Point latch with screw driver or coin operation (standard)
Series NCNR	One-Point flush mount open with screw driver or coin.
Series NCMB	One-Point flush mount open with special key. 1 included.

SERIES - DS

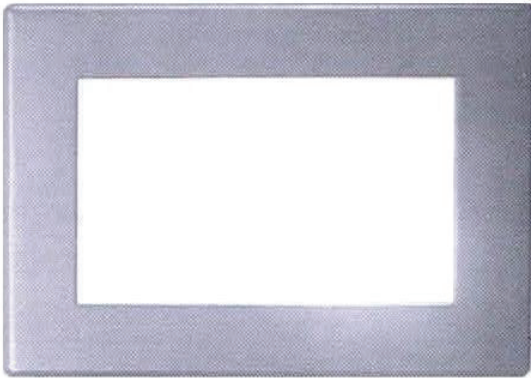
Drip Shield Kits - Manufactured from Steel, Galvanized, Stainless Steel or Aluminum



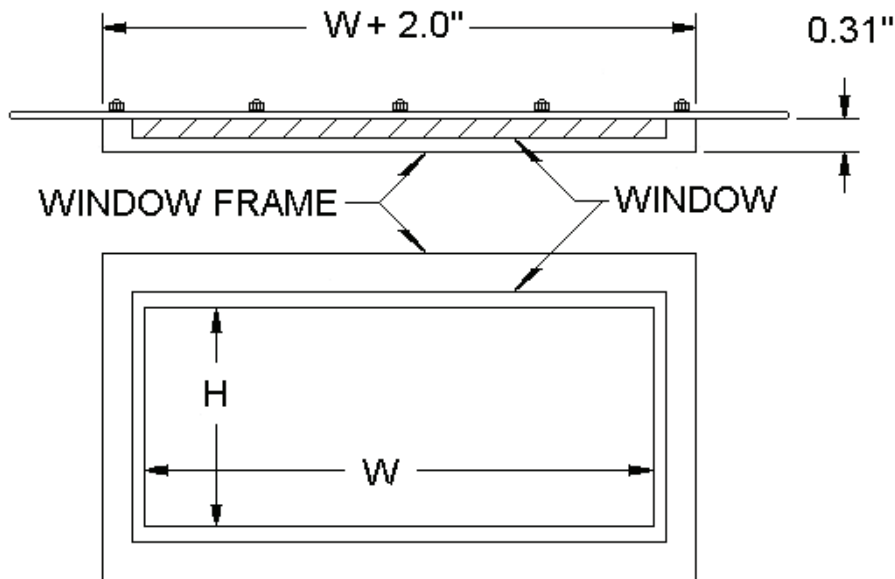
ACCESSORIES

SERIES - WK

Window Kit



- For use on NEMA Type 12 or 4X enclosures.
- Can be installed in the field.
- Frame is formed and welded.
- Acrylic window is ¼" thick.
- Neoprene gasketed to form a water tight seal
- Interior retaining strips.
- Mounting hardware supplied.
- Manufactured from Steel, Galvanized, Stainless Steel or Aluminum.



"H"	"W"	SERIES
		WK